

WC147769E

JEFFERSON ALUMINIUM SINGLE DOOR ILLUMINATED CABINET



MATERIAL

Aluminium
Mirrored Glass Doors

FINISH / COLOUR

Satin Silver Anodised

FREQUENTLY USED APPLICATIONS

Commercial Washrooms
Hotels
Domestic Dwellings

FEATURES

- Aluminium cabinet with a double sided mirrored door.
- Decorative LED lighting bar with rocker switch operation.
- Integrated shaver socket.
- Two adjustable toughened glass shelves.
- 180 degree pivot door hinge for increased accessibility.
- Supplied fully assembled for ease of installation.
- Easy to install Hang 'n' Lock system.
- IP44 rated, suitable for use in the outside bathroom zone.
- All fixtures and fittings included.

PERFORMANCE STANDARDS

Meets Performance Requirements Of Service Condition 2.

BS EN ISO 9221:2017 - Corrosion Resistant (NSS 48hr Salt Spray, Min. Grade9).

Certified to:

LVD - BS EN 60598-1:2015

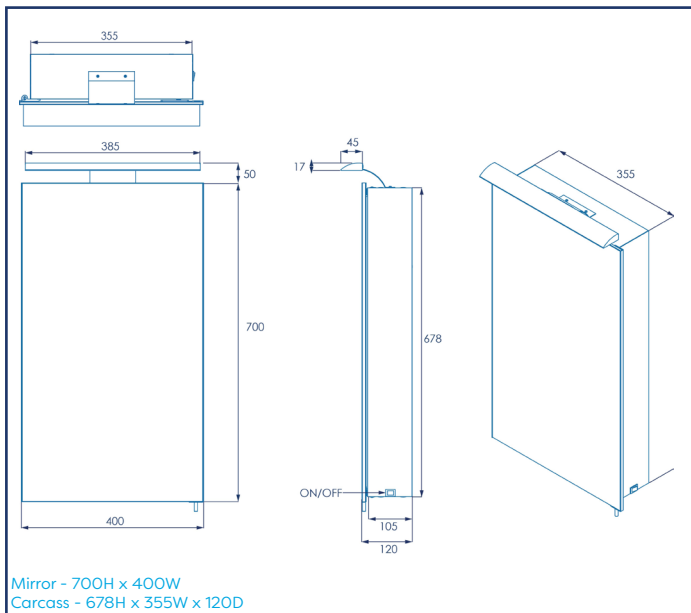
EMC - BS EN 55015:2013, BS EN 61000-3-2:2014, BS EN 61000-3-3:2013, BS EN 61547:2009

INPUT VOLTAGE: 220 - 240 Vac 50Hz **CE**
SHAVER SOCKET: 220 - 240Vac 20VA Max
LED LAMP: 12 Vdc 5W Warm White ≤ 4000K

CARE AND MAINTENANCE

Clean surfaces with a damp cloth and wipe dry using a soft cloth.

Do not use chemical or abrasive cleaners as these may damage the surface finish.



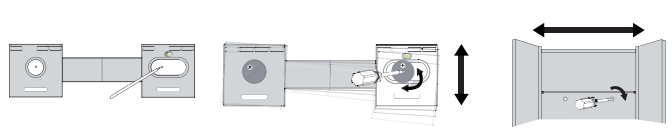
Mirror - 700H x 400W
Carcass - 678H x 355W x 120D

GUARANTEE

Consumer Statutory Rights Apply

HANG 'N' LOCK

Easy Installation Bracket.
Fully Adjustable.
One Person Installation.



Printed material, designs and packaging are protected by copyright and design rights.

Tel: +44 (0) 3300417191
Email: info@metlex.co.uk
Web: www.metlex.com

Date Created : 03/01/19 | REV 001